

Plant Stakes

In-Ground Mount All Aluminum Construction

> Standard Mount Plate Size

- ✓ 4" x 6"
- ✓ 2" x 4"
- ✓ 3" x 3"
- ✓ 1" x 3"
- ✓ 3" x 5"

In-Ground Mount:

- ✓ 12" long
- ✓ 36" long
- ✓ 24" long
- ✓ 48" long

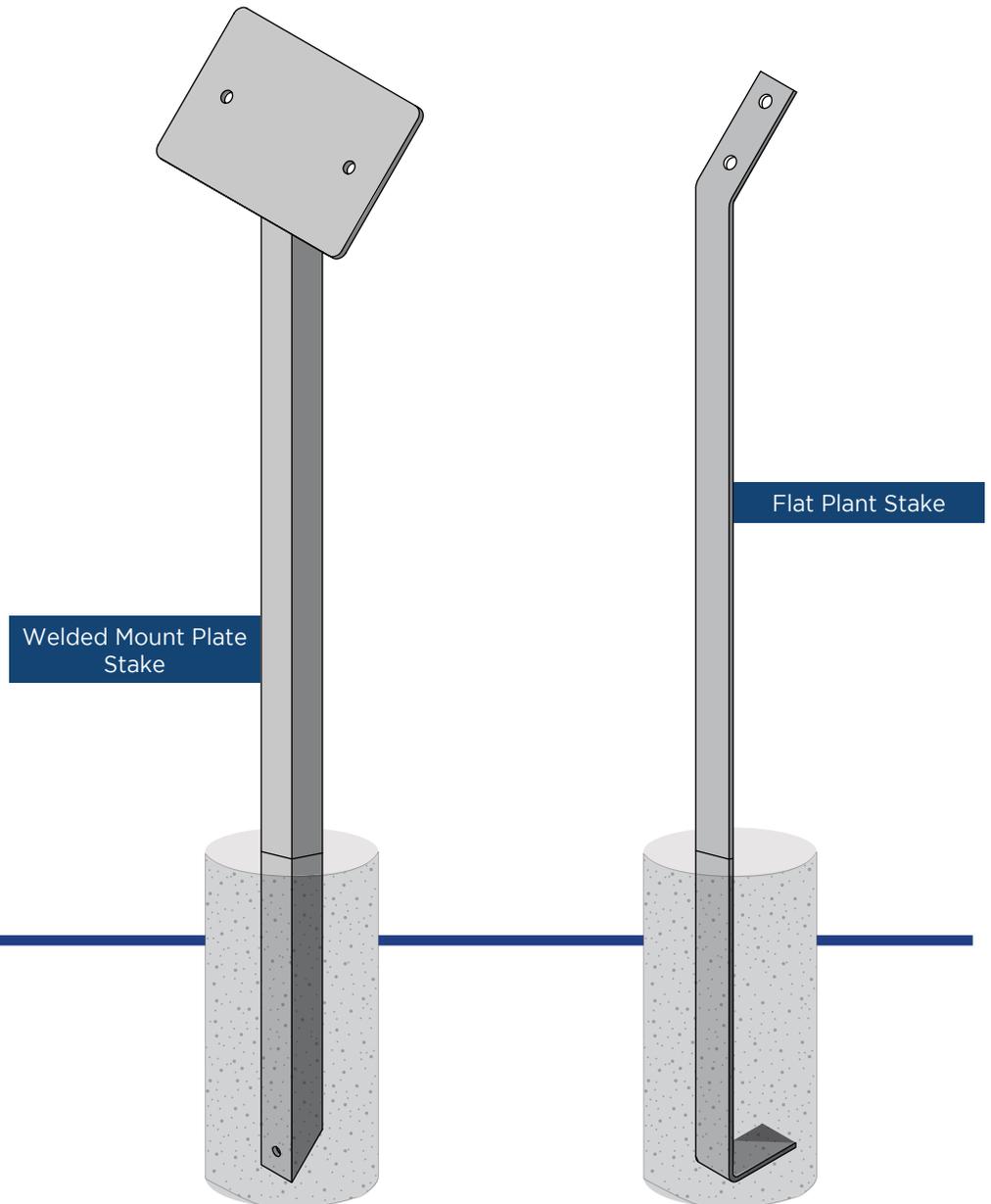
Mount plates welded to 1" x 1" aluminum tube

- * Custom post lengths available
- * Standard and custom color options available

> 45° Angle Mount

> Flat Plant Stake

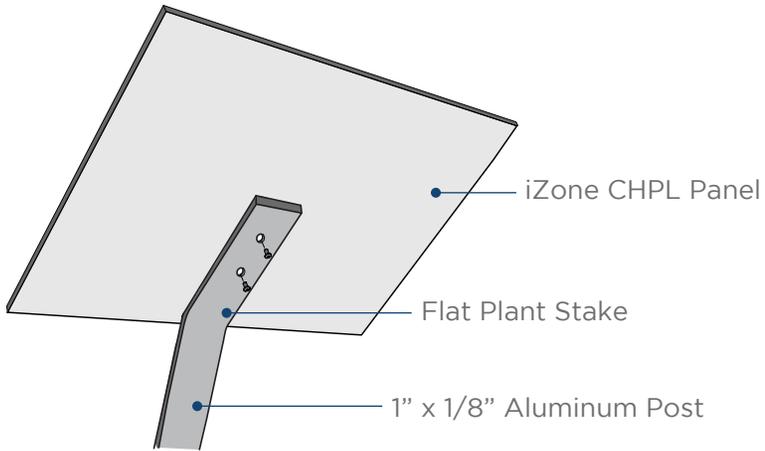
1" w x 1/8" Aluminum



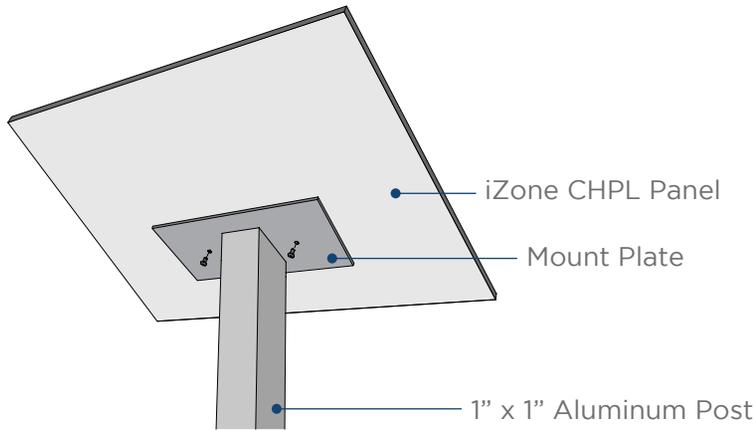
Toll Free 888.464.9663
Local 254.778.0722
Fax 254.778.0938
Email info@izoneimaging.com

Plant Stakes

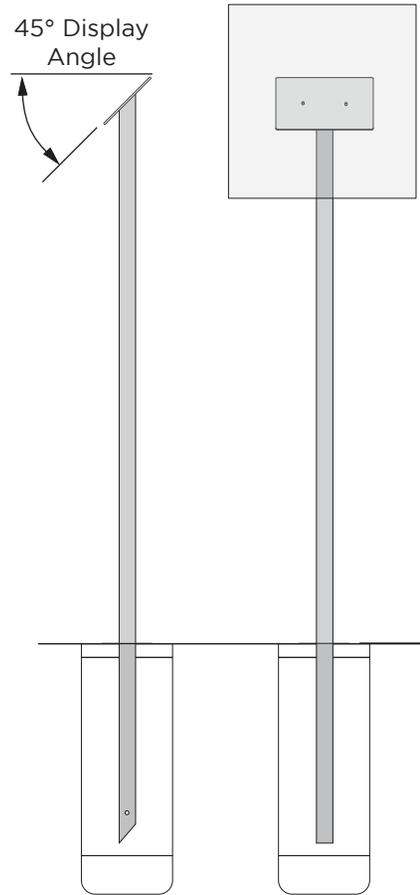
Welded Mount Plate Stake



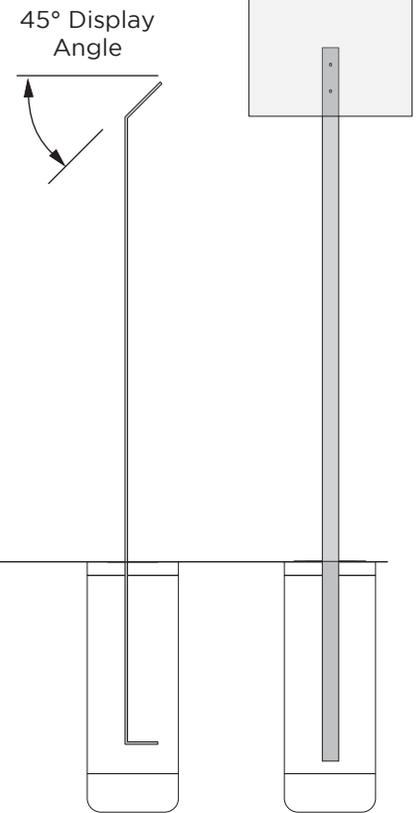
Flat Plant Stake



Welded Mount Plate Stake



Flat Plant Stake



Project details pertaining to below grade installation depths, ADA requirements, wind loads, or other specifications, should be discussed with your Sales Representative at estimating.



Toll Free 888.464.9663
Local 254.778.0722
Fax 254.778.0938
Email info@izoneimaging.com

izoneimaging.com