

Cantilever Pedestal

Assembly and In-ground Installation

DIRECTIONS

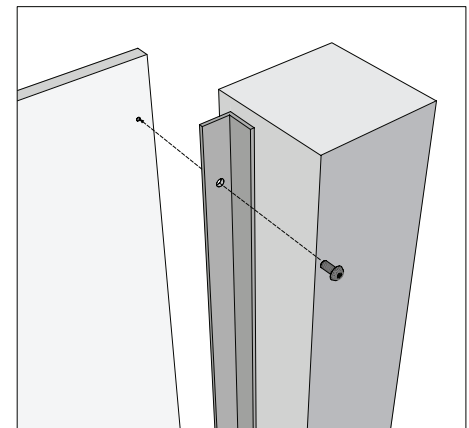
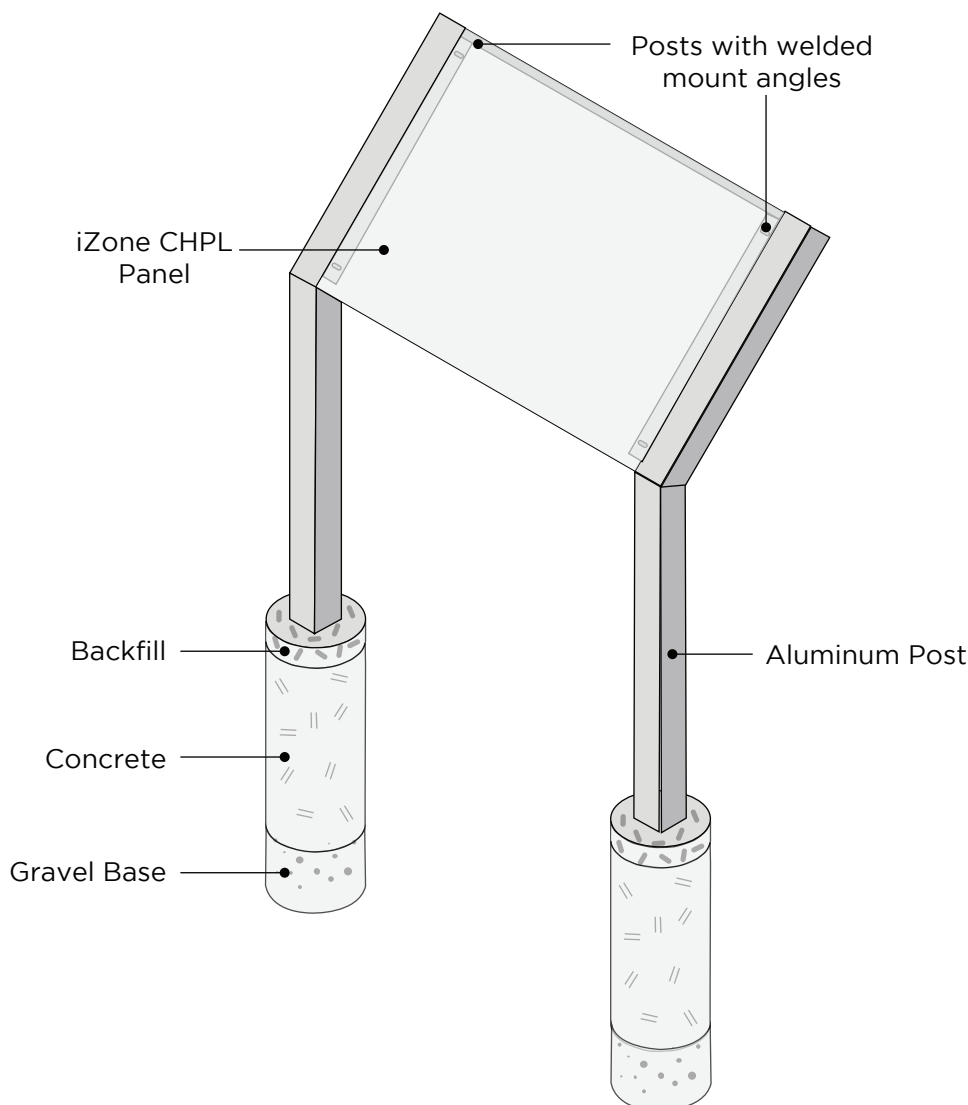
1. Dig an 8" diameter hole to 6" below the frost line, considering the desired install height from grade. Spaced 2" wider than measurement of the sign frame.
2. Add gravel, tamp and verify installation height.
3. Wrap post with kraft paper or plastic sheet to protect from concrete spatter. Stabilize post in hole with wood braces and clamps. Add prepared concrete, verify level, plumb and installation height.
4. Remove braces and plastic sheeting after concrete is set. Clean exhibit with soap and water, backfill if desired.

Recommended installation height is 28-32" from grade, standard posts 18" burial.

Refer to your area's recommendations for specific below grade installation requirements.

TOOLS REQUIRED

- Post hole digger
- Shovel
- Hammer
- Level
- Tape measure
- Wood braces
- Concrete
- Gravel
- Soil
- Tamping stick for gravel
- Kraft paper or plastic sheet



Threaded holes drilled per panel size